

Technical Specifications

Power Supply	via Nano IO Air / Dimmer Air
Safety Protection	IP40
Capacitive Touch	5 Touch points
Ambient Temperature	-20...70°C / -4...158°F
Humidity	95% r.H. (non condensing)
Dimensions	90x90x11mm / 3.54x3.54x0.43" (LxWxH)
Maintenance & Cleaning	This device is free of maintenance and may only be cleaned with a dry cloth.

LOXONE

LOXONE

Need Help?

loxone.com/support



Touch Pure for Nano

Loxone Electronics GmbH
Smart Home 1
4154 Kollerschlag
Austria

loxone.com

V25119



Part No: 100207 (White)
Part No: 100209 (Anthracite)

About the product

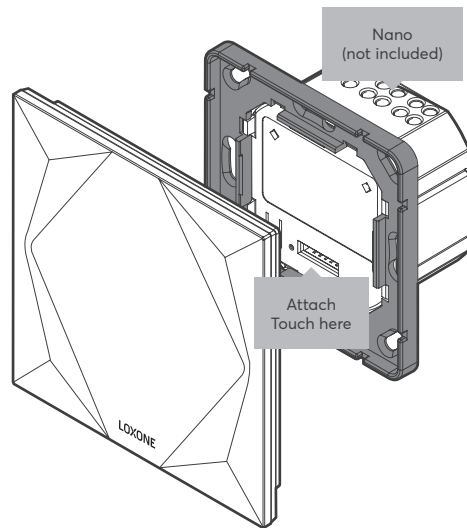
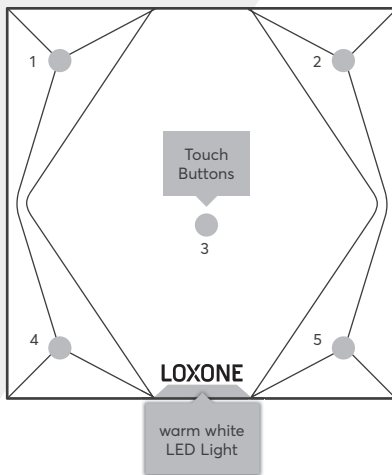
The Loxone Touch Pure has five touch zones, which can be configured according to your needs. The large central touch zone is ideal for controlling lighting, whilst the corner zones are handy for controlling music and blinds, for example.

Features

- 5 touch buttons
- Optional click feedback
- Orientation LED light

Installation

Install the mounting frame on the desired installation place. Attach the Touch on the Nano IO Air or Nano Dimmer Air and configure it in Loxone Config.



This folder is a part of the product!



For additional information, declaration of conformity, visit www.loxone.com/help/touch-pure-nano