

Technical Specifications

Power supply	9 28VDC
Power consumption	typ. 115mW
Power loss	max. 115mW
Ambient temperature	-20 ... 70°C / -4 ... 158°F
Humidity	max. 95% r.H. (non condensing)
Touch p	5 touch points, capacitive touch detection
Click feedback	Yes
Temperature detection range	-40 ... 125°C / -40 ... 257°F +/- 0.5°C / 0.9°F
Humidity detection range	0 ... 100% r.H. +/- 2% (non condensing)
Safety rating	IP40
Dimensions	80x80x10mm / 3.15x3.15x0.4" (LxWxH)
Maintenance & Cleaning	This device is free of maintenance and may only be cleaned with a dry cloth.

LOXONE

Need Help?

loxone.com/support

Loxone Electronics GmbH
Smart Home 1
4154 Kollerschlag
Austria

loxone.com



V0460320

LOXONE



Touch Tree

Part No: 100221 (White)
Part No: 100222 (Anthracite)

About the product

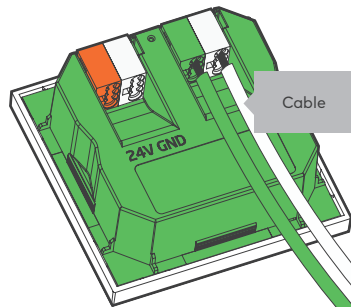
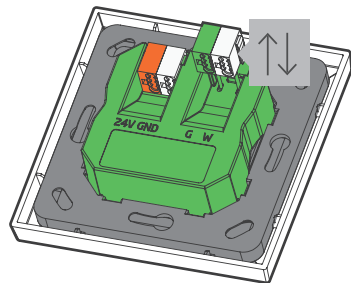
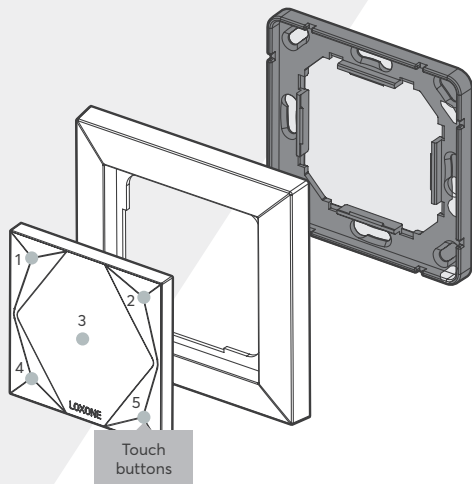
The Loxone Touch has five touch zones, which can be configured according to your needs. The large central touch zone is ideal for controlling lighting, whilst the corner zones are handy for controlling music and blinds, for example.

Features

- 5 touch buttons
- Temperature & humidity sensor
- Optional click feedback

Installation

Install the mounting frame on the desired installation place. Power up the device and pair it with your Miniserver in Loxone Config. To finish the installation attach the Loxone Touch on the mounting frame.



This folder is a part of the product!



For additional information, declaration of conformity, visit www.loxone.com/help/touch-tree

Connection

Wire cross-section	0.25 ... 0.8mm ² / AWG23 ... 18
Stripping length	5mm / 0.2"
Temperature resistance	-40 ... 105°C / -40 ... 221°F