

## Technical Specifications

<b>Access Possibilities</b>	NFC, Key Code
<b>Power Supply</b>	via Nano IO Air
<b>Power Consumption</b>	typ. 20mW, max. 560mW (while reading NFC)
<b>Safety Rating</b>	IP20
<b>Ambient Temperature</b>	0...35°C / 32...95°F
<b>Humidity</b>	95% r.H. (non condensing)
<b>Maintenance &amp; Cleaning</b>	This device is free of maintenance and may only be cleaned with a dry cloth.

# LOXONE

# LOXONE

## Need Help?

[loxone.com/support](https://loxone.com/support)



## NFC Code Touch for Nano

Part No: 100301 (White)  
Part No: 100307 (Anthracite)

**Loxone Electronics GmbH**  
Smart Home 1  
4154 Kollerschlag  
Austria

[loxone.com](https://loxone.com)



VT70419

## About the product

Get access to your Smart Home with encrypted or unencrypted NFC tags, via your NFC enabled smartphone or through your own unique key code.

## Features

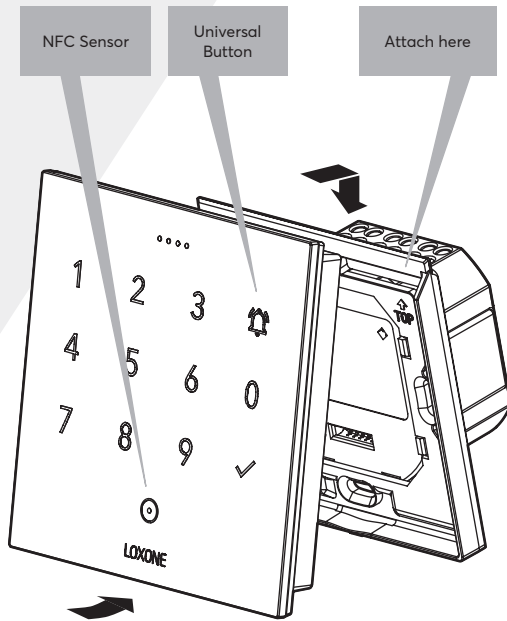
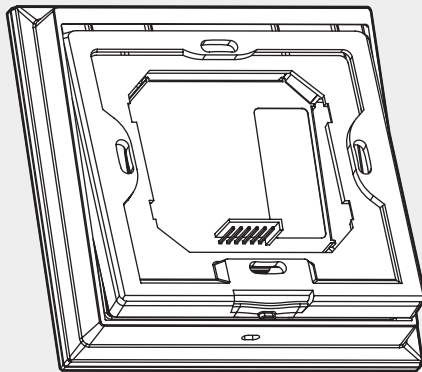
- Authentication via encrypted and unencrypted NFC Tags or NFC enabled smartphones or key code
- Supports permanent, disposable or time-limited key codes
- Universal button
- Alarm-authentication

## Important Information

For security reasons, we strongly suggest you only use encrypted NFC tags for access control from Loxone.

## Installation

Attach the mounting frame of the NFC Code Touch to the Nano IO Air. Install the Nano IO Air in an appropriate installation box and fix the mounting frame to it. To finish the installation attach the NFC Code Touch as shown on the mounting frame.



For additional information, declaration of conformity, visit [www.loxone.com/help/nfc\\_code\\_touch](http://www.loxone.com/help/nfc_code_touch)