

Technical Specifications

Power Supply	18...28VDC PELV
Power Consumption	typ. 65mW, max. 2.6W (with alarm output)
Total Power Loss	max. 2.6W
Alarm Output	Acoustic and Optical 93dB / 1m 83.5dB / 3m
Tamper Detection	Yes
Safety Rating	IP44
Ambient Temperature	-40...55°C / -40...131°F
Humidity	95% r. H. (non condensing)
Radio Frequency	868MHz (SRD Band Europe), 915MHz (ISM Band Region 2) max. Power 3.16mW
Dimensions	250x150x65mm / 9.84x5.91x2.56" (LxWxH)
Maintenance & Cleaning	This device is free of maintenance and may only be cleaned with a dry cloth.

LOXONE

LOXONE

Need Help?

loxone.com/support



Alarm Siren Air

Part No: 100312

Loxone Electronics GmbH
Smart Home 1
4154 Kollerschlag
Austria

loxone.com



V251119

About the product

The Alarm Siren Air with strobe light serves as an external warning device, for example, as part of the burglar alarm. When triggered, the device gives out an acoustic and optical alarm. The integrated tamper switch provides additional protection.

Features

- Acoustic alarm
- Optical alarm
- Tamper detection

Installation

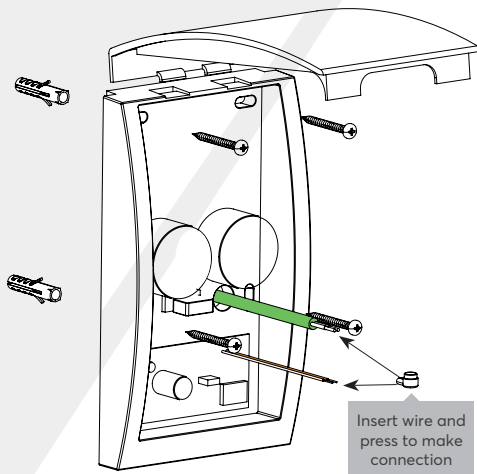
Install the product in your desired installation place and make sure that it's mounted over the cable outlet. Make sure that you choose an installation place where the product is protected against extreme weather conditions.

Connect power by using the provided moisture-resistant pigtail connectors. Once powered, pair the product with your Miniserver using Loxone Config. To finish the installation, place the top cover as seen in the picture on the base unit and fix in place with the two screws on the bottom.

This folder is a part of the product!



For additional information, declaration of conformity, visit www.loxone.com/help/alarm-siren-air



Insert wire and press to make connection

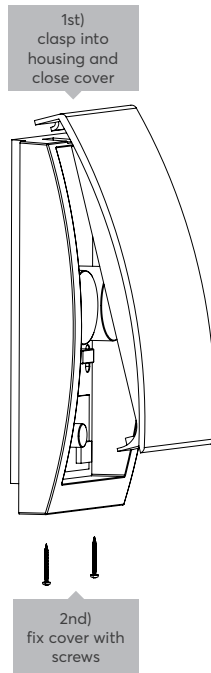
Information

Contains FCC ID: COR-ZWIR4512AC1

This device complies with part 15 of the FCC Rules.

Operation is subject to the following two conditions:

1. This device may not cause harmful interference
2. This device must accept any interference received, including interference that may cause undesired operation



1st)
clasp into
housing and
close cover

2nd)
fix cover with
screws