

Technical Specifications

Power Supply	12...28VDC PELV
Power Consumption	typ. 66mW, max. 150mW
Output	4 PWM Outputs (max 2.1A per channel) 100W @12V 200W @24V
Max. Cable Length To LED	30m / 98ft
Safety Rating	IP20
Ambient Temperature	-40...55°C / -40...131°F
Humidity	95% r. H. (non condensing)
Radio Frequency	868MHz (SRD Band Europe), 915MHz (ISM Band Region 2) max. Power 3.16mW
Dimensions	136x36x23mm / 5.35x1.42x0.9" (LxWxH)
Maintenance & Cleaning	This device is free of main- tenance and may only be cleaned with a dry cloth.

LOXONE

Need Help?

loxone.com/support

Loxone Electronics GmbH
Smart Home 1
4154 Kollerschlag
Austria

loxone.com



V25119

LOXONE



RGBW 24V Compact Dimmer Air

Part No.: 100324

About the product

The RGBW 24V Compact Dimmer allows easy control of LED lighting. You can dim the light as well as change the color and create different moods of your room.

Features

4x PWM output

Installation & electrical connection

The installation of this device has to be carried out by a qualified person. The device has to be fitted in accordance with building regulations for electrical and fire safety. If the device is not installed according to manufacturer's guidelines the protection of the device may be affected.

When the device is powered up for the first time, the device immediately goes into Learning mode. Learning mode ends when the Air Device has been successfully connected to the Miniserver or the 10 minute initial Learn period ends.

Information

Contains FCC ID: COR-ZWIR4512AC1

This device complies with part 15 of the FCC Rules.

Operation is subject to the following two conditions:

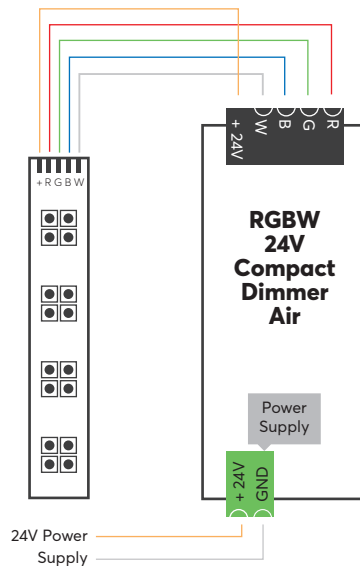
1. This device may not cause harmful interference
2. This device must accept any interference received, including interference that may cause undesired operation



For additional information, declaration of conformity, visit www.loxone.com/help/compact-dimmer

Connection

Wire diameter	0.75...2.5mm ² / AWG 18...AWG13
Exposed wire length	5mm / 0.2"
Torque of terminal blocks	min. 0.35Nm; max. 0.4Nm



This folder is a part of the product!
DRY LOCATIONS ONLY • POUR EMPLACEMENTS SECS SEULEMENT •
CLASS 2 INPUT ONLY • ENTRÉE DE CLASSE 2 UNIQUEMENT